

Easy to implement – convenient to use.

Hardware system for pivot sliding cabinet doors weighing up to 25, 30, 40 and 50 kg (55/66/88/110 lbs.)

Description

The HAWA-Concepta 25/30/40/50 slides doors alongside cabinet bodies or into wall recesses. Room-high designs and walk-in cabinets are easy and efficient to implement. The well-thought-out concept has omitted a bottom guide channel and offers optimum flexible room utilisation with no obstructions in the form of protruding doors. HAWA-Concepta 25/30/40/50 is a true master of design thanks to a broad band width of available dimensions, weights and material thicknesses.

Application

Its advantages are obvious wherever variable room utilisation and unobstructed access should leave a tidy impression, for instance the home office in the bedroom, or to hide appliances in the kitchen or the washing machine in the bathroom. Even walk-in cabinets are realizable.

Features of HAWA-Concepta 25

- Maximum door weight 25 kg (55 lbs.)
→ door weight / height ratio
- Door width 300–900 mm ($11 \frac{13}{16}$ "– $2'11 \frac{7}{16}$ "
- Door height 1250–1850 mm ($4'1 \frac{7}{16}$ "– $6'0 \frac{27}{32}$ "
- Door thickness 19–50 mm ($\frac{3}{4}$ "– $1 \frac{31}{32}$ "

Features of HAWA-Concepta 30

- Maximum door weight 30 kg (66 lbs.)
→ door weight / height ratio
- Door width 300–900 mm ($11 \frac{13}{16}$ "– $2'11 \frac{7}{16}$ "
- Door height 1851–2300 mm ($6'0 \frac{7}{8}$ "– $7'6 \frac{9}{16}$ "
- Door thickness 19–50 mm ($\frac{3}{4}$ "– $1 \frac{31}{32}$ "

Features of HAWA-Concepta 40

- Maximum door weight 40 kg (88 lbs.)
→ door weight / height ratio
- Door width 300–900 mm ($11 \frac{13}{16}$ "– $2'11 \frac{7}{16}$ "
- Door height 1851–2500 mm ($6'0 \frac{7}{8}$ "– $8'2 \frac{7}{16}$ "
- Door thickness 19–50 mm ($\frac{3}{4}$ "– $1 \frac{31}{32}$ "

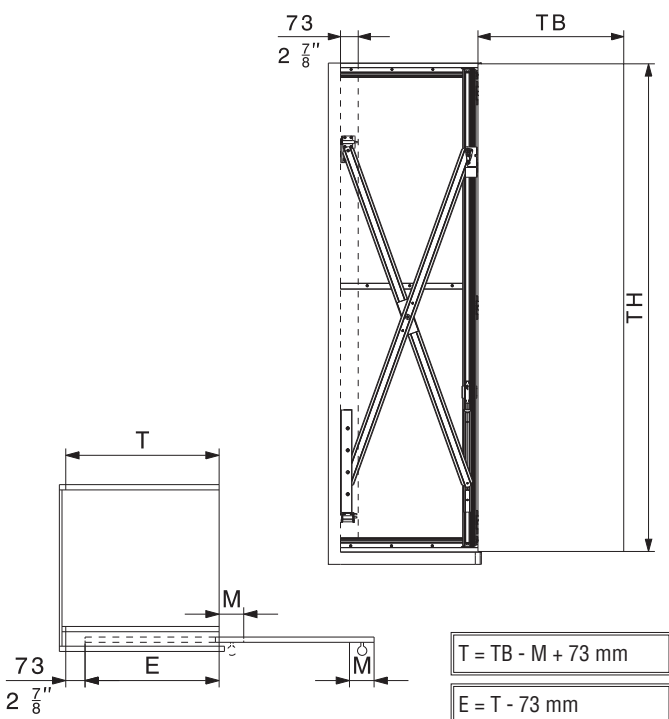
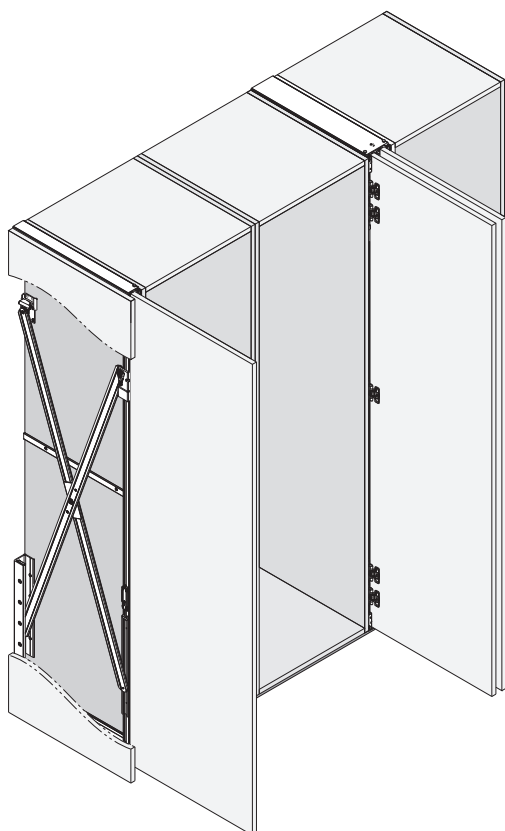
Features of HAWA-Concepta 50

- Maximum door weight 50 kg (110 lbs.)
→ door weight / height ratio
- Door width 300–900 mm ($11 \frac{13}{16}$ "– $2'11 \frac{7}{16}$ "
- Door height 2301–2850 mm ($7'6 \frac{19}{32}$ "– $9'4 \frac{7}{32}$ "
- Door thickness 19–50 mm ($\frac{3}{4}$ "– $1 \frac{31}{32}$ "

Features of HAWA-Concepta 25/30/40/50

- HAWA-Concepta 25/30 with guide rollers, top and bottom
- HAWA-Concepta 40/50 with two-wheeled trolley
- Unique scissor technology accommodates large and heavy doors
- All adjustments are made from the front
- Sophisticated stop shock absorber for smooth operation
- All components are screwed onto the intermediate panel
- Wall recesses can be concealed without a cabinet body
- The same set can be used for left and right hand side applications
- The connector profile makes it easier to assemble cabinet designs with doors striking against the top and bottom cabinet sections
- Certified LGA

Subject to modification. Metric specifications are exact. Inches are approximate.

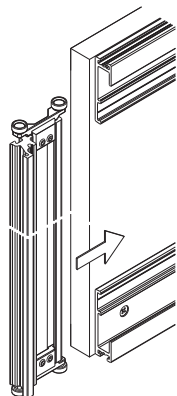


Calculation hardware depth

	T	TH	E
HAWA-Concepta 25	≤ 650 mm ($2'1 \frac{19}{32}$ "	1250–1850 mm ($4'1 \frac{7}{16}$ "– $6'0 \frac{27}{32}$ "	≤ 577 mm ($1'10 \frac{23}{32}$ "
HAWA-Concepta 30	≤ 900 mm ($2'11 \frac{7}{16}$ "	1851–2300 mm ($6'0 \frac{7}{8}$ "– $7'6 \frac{9}{16}$ "	≤ 827 mm ($2'8 \frac{9}{16}$ "
HAWA-Concepta 40	≤ 900 mm ($2'11 \frac{7}{16}$ "	1851–2500 mm ($6'0 \frac{7}{8}$ "– $8'2 \frac{7}{16}$ "	≤ 827 mm ($2'8 \frac{9}{16}$ "
HAWA-Concepta 50	≤ 900 mm ($2'11 \frac{7}{16}$ "	2301–2850 mm ($7'6 \frac{19}{32}$ "– $9'4 \frac{7}{32}$ "	≤ 827 mm ($2'8 \frac{9}{16}$ "

Sets, HAWA-Concepta 25/30

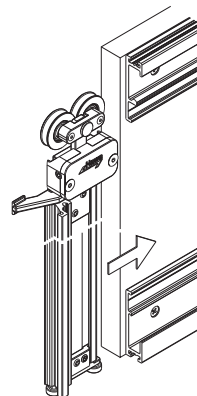
	mm/inch	code
HAWA-Concepta 25, set for 1 door	1250-1850 (4'1 ⁷ / ₁₆ "-6'0 ²⁷ / ₃₂ ")	24731
HAWA-Concepta 30, set for 1 door	1851-2300 (6'0 ⁷ / ₈ "-7'6 ⁹ / ₁₆ ")	24732
Sets contents: → page 42		



HAWA-Concepta 25/30

Sets, HAWA-Concepta 40/50

	mm/inch	code
HAWA-Concepta 40, set for 1 door	1851-2500 (6'0 ⁷ / ₈ "-8'2 ⁷ / ₁₆ ")	24733
HAWA-Concepta 50, set for 1 door	2301-2850 (7'6 ¹⁹ / ₃₂ "-9'4 ⁷ / ₃₂ ")	24734
Sets contents: → page 43		



HAWA-Concepta 40/50

Door weight / height ratio

The maximum weight must be adjusted in accordance with the size of the doors.

HAWA-Concepta 25

TB TH	300	350	400	450	500	550	600	650	700	750	800	850	900
1850	25	25	25	25	25	25	25	25	25	24	23	21	20
1800	25	25	25	25	25	25	25	25	25	23	22	21	19
1750	25	25	25	25	25	25	25	25	24	23	21	20	19
1700	25	25	25	25	25	25	25	25	23	22	20	19	18
1650	25	25	25	25	25	25	25	24	23	21	20	19	18
1600	25	25	25	25	25	25	25	23	22	20	19	18	17
1550	25	25	25	25	25	25	24	23	21	20	18	17	16
1500	25	25	25	25	25	25	24	22	20	19	18	17	16
1450	25	25	25	25	25	25	23	21	19	18	17	16	15
1400	25	25	25	25	25	24	22	20	19	17	16	15	14
1350	25	25	25	25	25	23	21	19	18	17	16	15	14
1300	25	25	25	25	24	22	20	18	17	16	15	14	13
1250	25	25	25	25	23	21	19	17	16	15	14	13	13

Door weight in Kg / TB = Door width in mm / TH = Door height in mm

HAWA-Concepta 40

TB TH	300	350	400	450	500	550	600	650	700	750	800	850	900
2500	40	40	40	40	40	40	40	40	40	40	40	40	40
2450	40	40	40	40	40	40	40	40	40	40	40	40	39
2400	40	40	40	40	40	40	40	40	40	40	40	40	38
2350	40	40	40	40	40	40	40	40	40	40	40	39	37
2300	40	40	40	40	40	40	40	40	40	40	40	38	36
2250	40	40	40	40	40	40	40	40	40	40	40	39	37
2200	40	40	40	40	40	40	40	40	40	40	40	38	36
2150	40	40	40	40	40	40	40	40	40	39	37	35	33
2100	40	40	40	40	40	40	40	40	40	38	36	34	32
2050	40	40	40	40	40	40	40	40	39	37	35	33	31
2000	40	40	40	40	40	40	40	40	38	36	34	32	30
1950	40	40	40	40	40	40	40	39	37	35	33	31	29
1900	40	40	40	40	40	40	40	38	36	34	32	30	28
1850	40	40	40	40	40	40	39	37	35	33	31	29	27

Door weight in Kg / TB = Door width in mm / TH = Door height in mm

HAWA-Concepta 30

TB TH	300	350	400	450	500	550	600	650	700	750	800	850	900
2300	30	30	30	30	30	30	30	30	30	30	29	27	26
2250	30	30	30	30	30	30	30	30	30	30	28	27	25
2200	30	30	30	30	30	30	30	30	30	29	27	26	24
2150	30	30	30	30	30	30	30	30	30	29	27	25	24
2100	30	30	30	30	30	30	30	30	30	28	26	25	23
2050	30	30	30	30	30	30	30	30	29	27	25	24	23
2000	30	30	30	30	30	30	30	30	29	26	25	23	22
1950	30	30	30	30	30	30	30	29	27	26	24	23	21
1900	30	30	30	30	30	30	30	29	27	25	23	22	21
1850	30	30	30	30	30	30	30	28	26	24	23	21	20

Door weight in Kg / TB = Door width in mm / TH = Door height in mm

HAWA-Concepta 50

TB TH	300	350	400	450	500	550	600	650	700	750	800	850	900
2850	50	50	50	50	50	50	50	50	50	50	50	50	50
2800	50	50	50	50	50	50	50	50	50	50	50	50	50
2750	50	50	50	50	50	50	50	50	50	50	50	50	50
2700	50	50	50	50	50	50	50	50	50	50	50	50	50
2650	50	50	50	50	50	50	50	50	50	50	50	50	50
2600	50	50	50	50	50	50	50	50	50	50	50	50	50
2550	50	50	50	50	50	50	50	50	50	50	50	50	50
2500	50	50	50	50	50	50	50	50	50	50	50	50	50
2450	50	50	50	50	50	50	50	50	50	50	50	50	50
2400	50	50	50	50	50	50	50	50	50	50	50	50	50
2350	50	50	50	50	50	50	50	50	50	50	50	50	49
2300	50	50	50	50	50	50	50	50	50	50	50	50	48

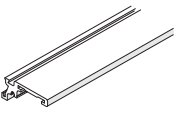
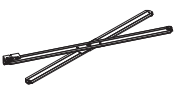



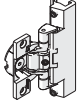
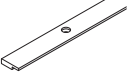
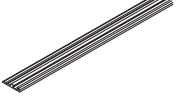
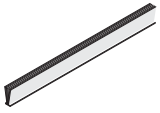

Door weight in Kg / TB = Door width in mm / TH = Door height in mm

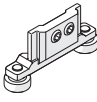
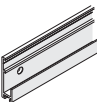
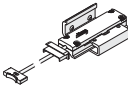

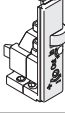
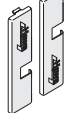
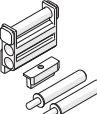


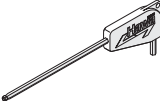
Subject to modification. Metric specifications are exact. Inches are approximate.

Sets, HAWA-Concepta 25/30

	mm/inch	code
HAWA-Concepta 25, set for 1 door	1250-1850 (4'1 $\frac{7}{16}$ " - 6'0 $\frac{27}{32}$ ")	24731
HAWA-Concepta 30, set for 1 door	1851-2300 (6'0 $\frac{7}{8}$ " - 7'6 $\frac{9}{16}$ ")	24732

Sets comprising

		24731	24732	code
	Upright, 1800 mm (5'10 $\frac{7}{8}$ "), alu plain anodized	1		22055
	Upright, 2300 mm (7'6 $\frac{9}{16}$ "), alu plain anodized		1	24699
	Scissor action, complete, 900 mm (2'11 $\frac{7}{16}$ "), galvanized steel	1		22592
	Scissor action, complete, 1500 mm (4'11 $\frac{1}{16}$ "), galvanized steel		1	22593
	Front scissor guide, alu plain anodized	1	1	22317
	Rear scissor guide, alu plain anodized	1	1	21850
	Rear scissor bearing, galvanized steel	1	1	22282
	Concealed hinge, spring-loaded, for wooden door, galvanized, 3 pieces	1	1	22778
	Spacer profil, 860 mm (2'9 $\frac{7}{8}$ "), plastic black, predrilled	1	1	22861
	Plastic profile, 1850 mm (6'0 $\frac{27}{32}$ "), black, for guide brush	1		21969
	Plastic profile, 2300 mm (7'6 $\frac{9}{16}$ "), black, for guide brush		1	24703
	Guide brush, black, 1850 mm (6'0 $\frac{27}{32}$ "), height 15 mm ($\frac{19}{32}$ ")	1		22595
	Guide brush, black, 2300 mm (7'6 $\frac{9}{16}$ "), height 15 mm ($\frac{19}{32}$ ")		1	24705
	Fixing brackets, plastic black, for guide brush, 8 pieces	1	1	22289

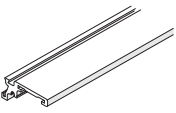



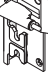
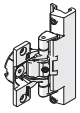
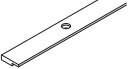
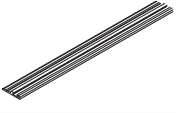
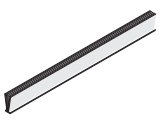

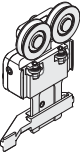
		24731	24732	code
	Upright guide alu, with plastic rollers	2	2	22267
	Bottom guide channel, alu plain anodized, 728 mm (2'4 $\frac{21}{32}$ "), predrilled	2		24533
	Bottom guide channel, alu plain anodized, 896 mm (2'11 $\frac{9}{32}$ "), predrilled		2	24535
	Stop damper with retaining bracket	1		24661
			1	24660
	Stop cover cap, depth ajustable, top left / bottom right	1	1	24624
	Stop cover cap, depth ajustable, top right / bottom left	1	1	24625
	Cover plates, stainless steel, 1 pair	1	1	24739
	Soft closing system for end position and cover caps for scissor guide	1	1	24854
	Set of screws for concealed hinges, 4,0x20 mm ($\frac{5}{32}$ " x $\frac{25}{32}$ "), 10 pieces	1	1	21961
	Screw set for fitting hardware to cabinet body, 4,5x20 mm ($\frac{3}{16}$ " x $\frac{25}{32}$ "), 25 pieces	1	1	22451
	Hex key, 3 mm ($\frac{1}{8}$ "), with handle	1	1	13164

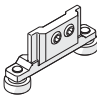
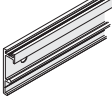
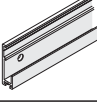
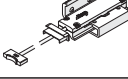

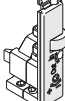
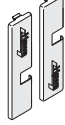
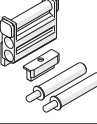


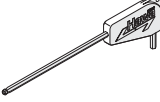
Subject to modification. Metric specifications are exact. Inches are approximate.

Sets, HAWA-Concepta 40/50

	mm/inch	code
HAWA-Concepta 40, set for 1 door	1851-2500 (6'0 $\frac{7}{8}$ "-8'2 $\frac{7}{16}$ ")	24733
HAWA-Concepta 50, set for 1 door	2301-2850 (7'6 $\frac{19}{32}$ "-9'4 $\frac{7}{32}$ ")	24734

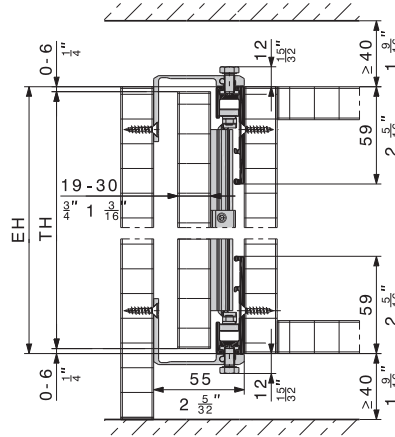
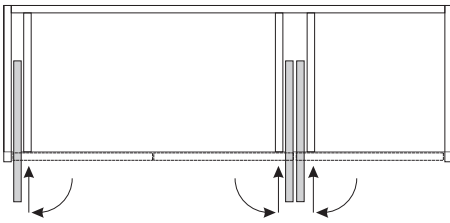
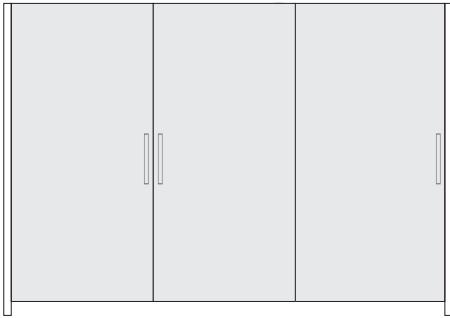
Garnituren, bestehend aus

		24733	24734	code
	Upright, 2500 mm (8'2 $\frac{7}{16}$ "), alu plain anodized	1		22056
	Upright, 2760 mm (9'0 $\frac{21}{32}$ "), alu plain anodized		1	22057
	Scissor action, complete, 1500 mm (4'11 $\frac{1}{16}$ "), galvanized steel	1	1	22594
	Front scissor guide, alu plain anodized	1	1	22317
	Rear scissor guide, alu plain anodized	1	1	21850
	Rear scissor bearing, galvanized steel	1	1	22282
	Concealed hinge, spring-loaded, for wooden door, galvanized, 4 pieces	1		24217
	Concealed hinge, spring-loaded, for wooden door, galvanized, 5 pieces		1	22779
	Spacer profil, 860 mm (2'9 $\frac{7}{8}$ "), plastic black, predrilled	1	1	22861
	Plastic profile, 2500 mm (8'2 $\frac{7}{16}$ "), black, for guide brush	1		21970
	Plastic profile, 2850 mm (9'4 $\frac{7}{32}$ "), black, for guide brush		1	21971
	Guide brush, black, 2500 mm (8'2 $\frac{7}{16}$ "), height 15 mm ($\frac{19}{32}$ ")	1		22596
	Guide brush, black, 2850 mm (9'4 $\frac{7}{32}$ "), height 15 mm ($\frac{19}{32}$ ")		1	22597
	Fixing brackets, plastic black, for guide brush, 8 pieces	1	1	22289
	Two-wheeled trolley alu, with ball bearing wheels, height-adjustable, with torsion plate, dull nickel finish	1	1	24955

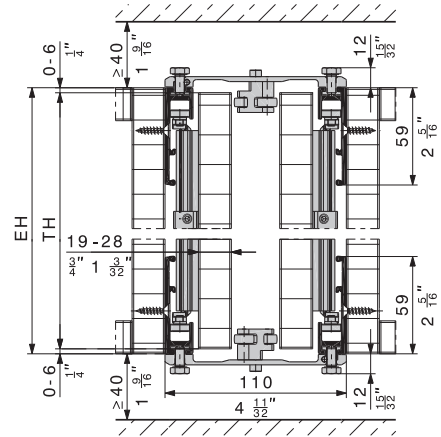
		24733	24734	code
	Upright guide alu, with plastic rollers	1	1	22267
	Top track, 896 mm (2'11 $\frac{9}{32}$ "), alu plain anodized, predrilled	1	1	24528
	Bottom guide channel, 896 mm (2'11 $\frac{9}{32}$ "), alu plain anodized, predrilled	1	1	24535
	Stop damper with retaining bracket	1	1	24660
	Stop cover cap, depth ajustable, top left / bottom right	1	1	24624
	Stop cover cap, depth ajustable, top right / bottom left	1	1	24625
	Cover plates, stainless steel, 1 pair	1	1	24739
	Soft closing system for end position and cover caps for scissor guide	1	1	24854
	Set of screws for concealed hinges, 4,0x20 mm ($\frac{5}{32}$ "x $\frac{25}{32}$ "), 10 pieces	1	1	21961
	Screw set for fitting hardware to cabinet body, 4,5x20 mm ($\frac{3}{16}$ "x $\frac{25}{32}$ "), 25 pieces	1	1	22451
	Hex key, 3 mm ($\frac{1}{8}$ "), with handle	1	1	13164

Design option: Door striking against the top and bottom cabinet section

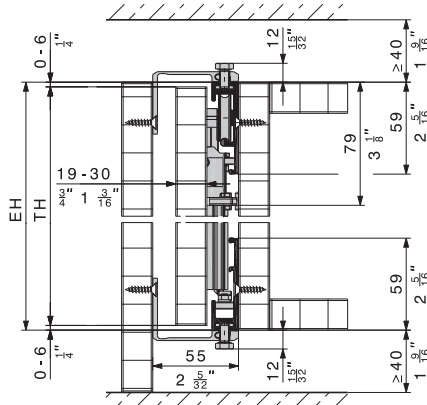
This standard furniture design can be implemented using HAWA Concepta 25/30/40/50. The pivot sliding hardware HAWA-Concepta 25/30/40/50 and the optionally available Connector combine to form a comprehensive modular system that is easy to install. In this way, the pivot/slide-in doors slide individually into a 55 mm ($2 \frac{3}{16}$ ") recess or in pairs into a 110 mm ($4 \frac{11}{32}$ ") recess. The HAWA-Concepta 25/30 with guide rollers for lightweight doors is combinable with both the Connector 55 mm ($2 \frac{3}{16}$ ") and Connector 110 mm ($4 \frac{11}{32}$ ") connecting profiles, as is the HAWA-Concepta 40/50 with a trolley for large and heavy doors.



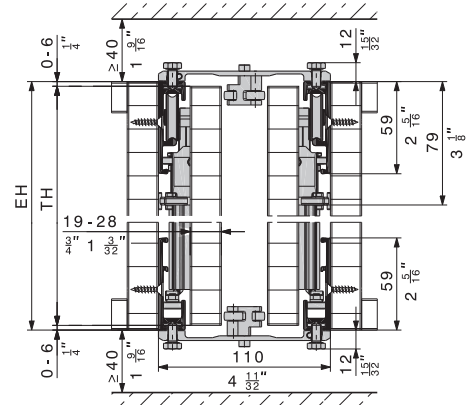
System: HAWA-Concepta 25/30
Connection: Connector 55 mm



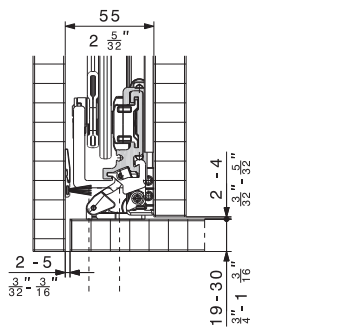
System: HAWA-Concepta 25/30
Connection: Connector 110 mm



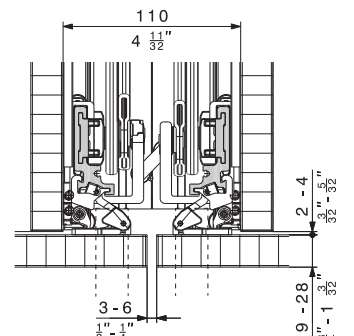
System: HAWA-Concepta 40/50
Connection: Connector 55 mm



System: HAWA-Concepta 40/50
Connection: Connector 110 mm



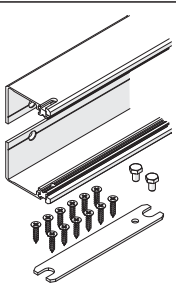
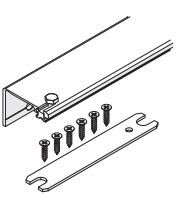
Connector 55 mm ($2 \frac{3}{16}$ ")
Maximum door thickness: 30 mm ($1 \frac{3}{16}$ ")



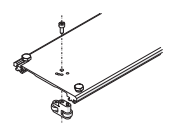
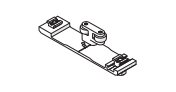
Connector 110 mm ($4 \frac{11}{32}$ ")
Maximum door thickness: 28 mm ($1 \frac{1}{8}$ ")

Subject to modification. Metric specifications are exact. Inches are approximate.

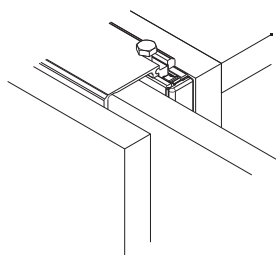
Connecting profile to the external side or cabinet body

		mm/inch	code
	Connector 55 mm ($2 \frac{3}{16}$ ") for one pivot/slide-in door, alu plain anodized, 2 pieces	650 ($2'1 \frac{19}{32}$)	25438
	Connector 55 mm ($2 \frac{3}{16}$ ") for one pivot/slide-in door, alu plain anodized, 1 piece	650 ($2'1 \frac{19}{32}$)	23221
		900 ($2'11 \frac{7}{16}$)	23222

Connecting profile to the cabinet body

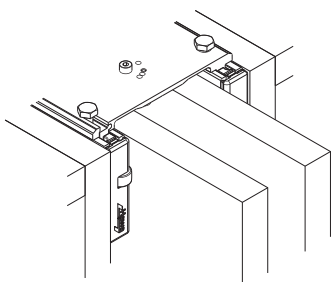
		mm	code
	Connector 110 mm ($4 \frac{11}{32}$ ") for two pivot/slide-in doors, alu plain anodized, 1 piece	650 ($2'1 \frac{19}{32}$)	23223
		900 ($2'11 \frac{7}{16}$)	23224
	Connector 110 mm ($4 \frac{11}{32}$ ") for two pivot/slide-in doors, alu plain anodized, 1 piece (for installation in front of a fixed base)	26 ($1 \frac{1}{32}$ ")	23225

Connector 55 mm ($2 \frac{3}{16}$ ")



Connector 55 mm ($2 \frac{3}{16}$ "):
recess for one pivot/slide-in door

Connector 110 mm ($4 \frac{11}{32}$ ")



Connector 110 mm ($4 \frac{11}{32}$ "):
recess for two pivot/slide-in doors

Connector for HAWA-Concepta 25/30/40/50

The Connector connection profile for the HAWA-Concepta 25/30/40/50 is a well-thought-out method of simplifying the assembly of designs with pivot/slide-in doors striking against the top and bottom cabinet sections. Assembly is not only easy but also quick and convenient: the cabinet side or body sections are placed adjacent to one another; the Connector connection profile is then inserted in the top tracks and bottom guide channels and screwed tight from above – job done.

Features of Connector 55 mm ($2 \frac{3}{16}$ ")

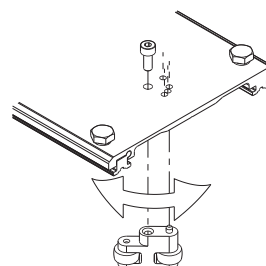
- For recesses with a pivot/slide-in door made of wood: 19–30 mm ($\frac{3}{4}$ " – $1 \frac{3}{16}$ ")
- The Connector compensates external side or cabinet body height differences of up to ± 1.5 mm ($\frac{1}{16}$ ")

Features of Connector 110 mm ($4 \frac{11}{32}$ ")

- For recesses with two pivot/slide-in doors made of wood: 19–28 mm ($\frac{3}{4}$ " – $1 \frac{1}{8}$ ")
- The Connector compensates cabinet body height differences of up to ± 1.5 mm ($\frac{1}{16}$ ")

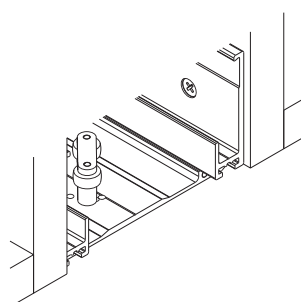
Guide roller for Connector 110 mm ($4 \frac{11}{32}$ ")

The plastic guide roller is the heart of the Connector 110 mm ($4 \frac{11}{32}$ "). It enables two wood doors to slide into the same recess. Even intensive use does not leave any permanent marks on the furniture front, as exhaustive tests have shown. Only very sensitive materials such as softwoods are not recommendable for use with this solution.

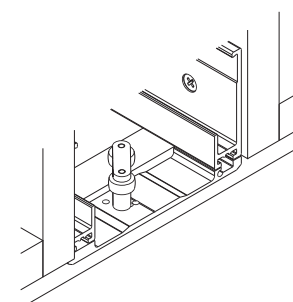


Kitchen designs with and without a fixed base

The Connector for the HAWA-Concepta 25/30/40/50 is suitable for various kitchen designs. The same connector profile can be used for the top and bottom on designs with adjustable feet. A short 26 mm ($1 \frac{1}{32}$ ") profile is available for designs with a fixed base.



Design with adjustable feet
Top/bottom profile: No. 23223/23224



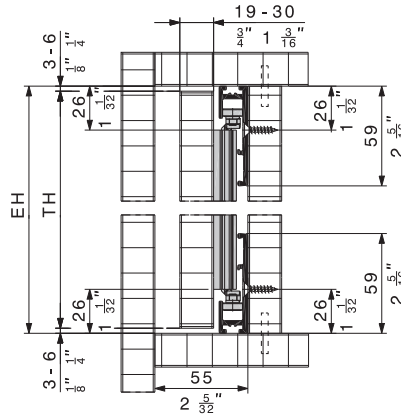
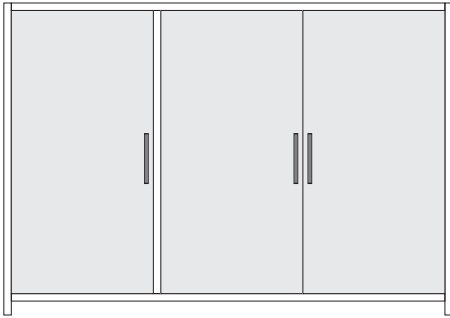
Design with a fixed base
Top profile: No. 23223/23224
Bottom profile: No. 23225

HAWA-Concepta 25/30/40/50: Further design options

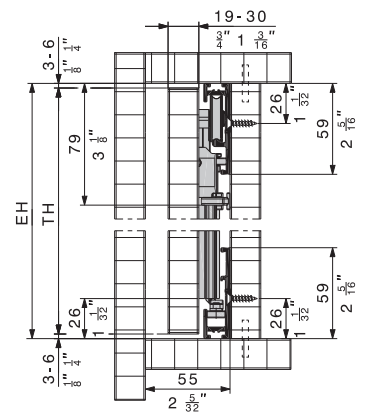
The HAWA-Concepta 25/30/40/50 is suitable not only for sliding doors that strike against the cabinet into the cabinet body but also for inlaying doors made. Both variants can be installed in a wall recess without a cabinet body.

Inlaying doors

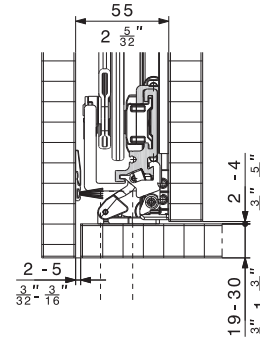
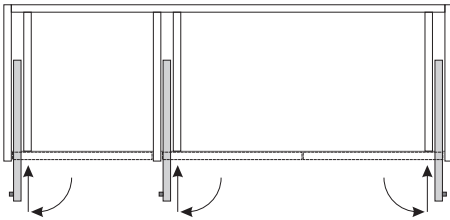
HAWA-Concepta 25/30/40/50 can also be used to design inlaying fronts.



HAWA-Concepta 25/30



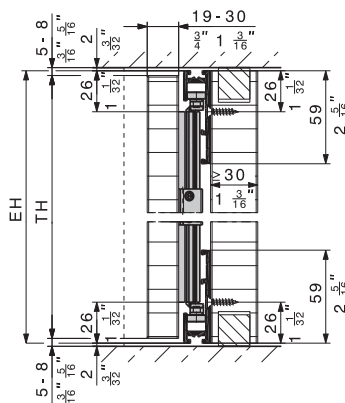
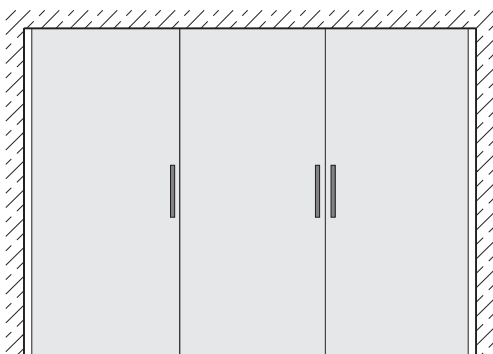
HAWA-Concepta 40/50



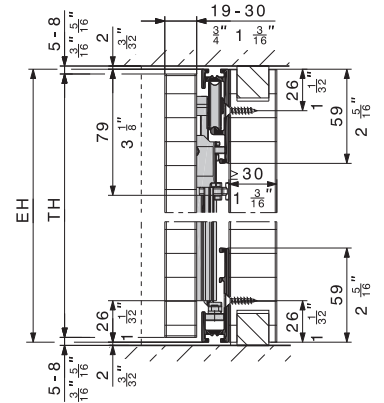
HAWA-Concepta 25/30/40/50

Door in wall recess

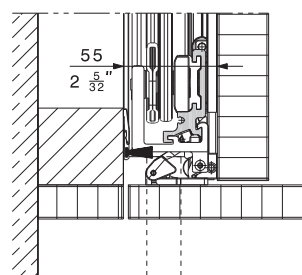
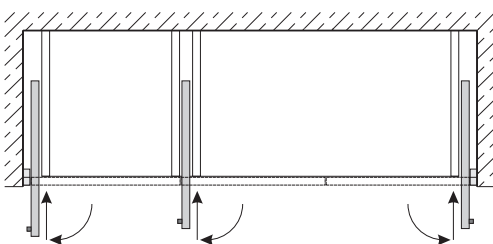
The HAWA-Concepta 25/30/40/50 can also conceal wall recesses without a cabinet body.



HAWA-Concepta 25/30



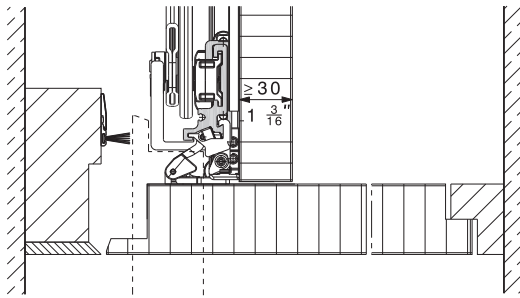
HAWA-Concepta 40/50



HAWA-Concepta 25/30/40/50

Design variant: room partitioning solutions

Room-high designs for partitioning solutions are possible as the HAWA-Concepta 25/30/40/50 does not require top and bottom cabinet sections. All components are screwed onto the intermediate panel.



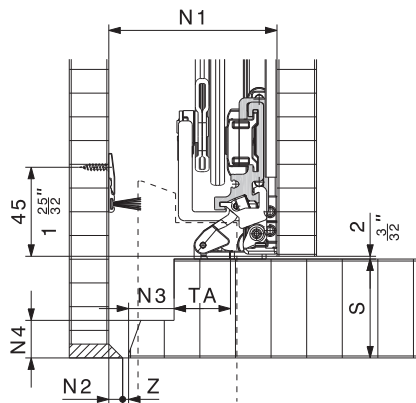
HAWA-Concepta 40/50

Wood doors from 30 mm (1 3/16")

Rabbets enable the installation of wood doors with thicknesses starting from >30–50 mm (1 3/16"–1 31/32").

Rabbet dimensions

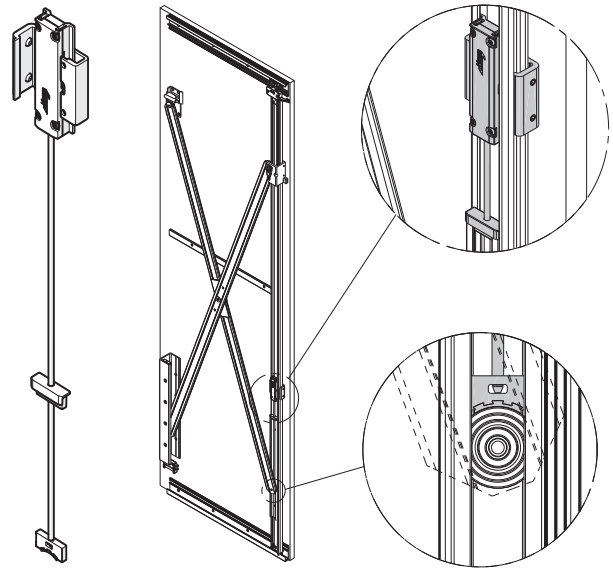
S	N1	N2	N3	N4
19–30 mm (3/4"–1 3/16")	55 mm (2 3/16")	0 mm	0 mm	0 mm
33 mm (1 5/16")	58 mm (2 9/32")	0 mm	3 mm (1/8")	3 mm (1/8")
36 mm (1 7/16")	63 mm (2 1/2")	2 mm (3/32")	6 mm (1/4")	5 mm (7/32")
39 mm (1 17/32")	67 mm (2 21/32")	3 mm (1/8")	9 mm (3/8")	8 mm (5/16")
42 mm (1 21/32")	70 mm (2 3/4")	3 mm (1/8")	12 mm (15/32")	11 mm (7/16")
45 mm (1 25/32")	75 mm (2 31/32")	5 mm (7/32")	15 mm (19/32")	14 mm (9/16")
48 mm (1 29/32")	79 mm (3 1/8")	6 mm (1/4")	18 mm (23/32")	17 mm (11/16")
50 mm (1 31/32")	83 mm (3 9/32")	7 mm (9/32")	21 mm (27/32")	19 mm (4")



Z	TA
2 mm	29.5 mm (1 5/32")
3 mm	28.5 mm (1 1/8")
4 mm	27.5 mm (1 3/32")
5 mm	26.5 mm (1 1/16")

Shock absorber: high operational convenience

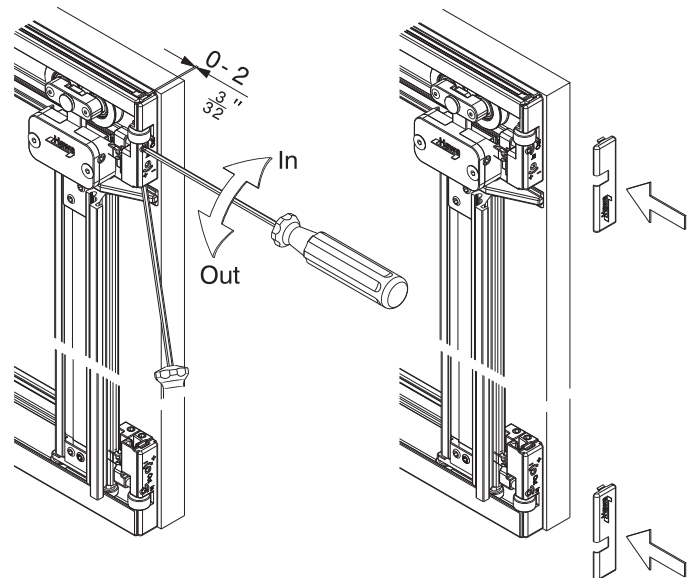
The shock absorber stops the door gently and quietly when it is pulled out.



Stop cover caps and depth adjustment

The stop cover caps are screwed onto the face side of the top tracks and floor guides and fulfill the following functions:

- The integrated guide roller makes it easy to pivot the door and slide it in, positioning it in the closed position
- The closed front can be aligned by 0–2 mm (0"–3/32") in the depth of the cabinet
- The hardware set includes a pair of stainless steel cover caps for extra visual appeal. They simply clip on to the stop cover caps




Front depth fine adjustment

Adjustment screw cover

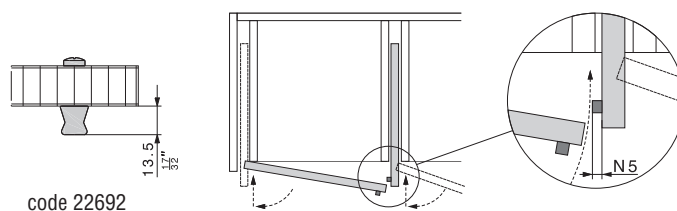
Subject to modification. Metric specifications are exact. Inches are approximate.

Door handles

		mm/inch	code
	Door handle, alu plain anodized	400 (1'3 ^{3/4})	22692
Please pay attention to the collision hazard when planning door handles in connection with the Connector.			

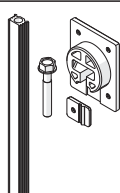
Door handle height

The height of the door handle should be determined accordingly if two cabinet elements are designed so that the door opening of one cabinet meets with the insert of the adjacent cabinet. We recommend shell handles or flush pull handles to building owners.



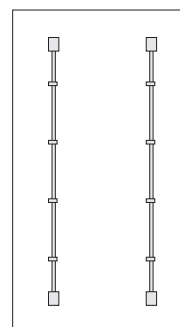
Door handle	S	N5
Hawa code 22692	19 mm (^{3/4})	13.5 mm (^{17/32})
provided by customer	≤ 22 mm (^{7/8})	10 mm (^{13/32})
	≤ 25 mm (^{31/32})	5 mm (^{7/32})
	≤ 50 mm (1 ^{31/32})	2 mm (^{3/32})
S =	Door thickness	
N5 =	Maximum door handle height for adjacent cabinets	

Aligner – Set for 1 wooden door

		Nr.
	Aligner for stabilisation of wooden sliding door set of 2 pieces	18705
<ul style="list-style-type: none"> • for door thicknesses of 16–28 mm (^{5/8}–1 ^{1/8}) • for door heights up to 2600 mm (8'6 ^{3/8}) (not suitable for solid hardwood) 		

Aligner

The alignment hardware makes it easy to stabilise and adjust the pivot/slide-in doors. At least two hardware sets are recommended for each door and can be shortened as required.



Order specifications

- Type and quantity of sets

Optional order specifications

- Quantity of connecting brackets for external or cabinet body connections
- Quantity of door handles
- Quantity of aligner

Planning/installation

For planning and installation purposes, please use the installation drawings:

- HAWA-Concepta 25/30 code 24728
- HAWA-Concepta 40/50 code 24729
- Connector for HAWA-Concepta 25/30/40/50 code 23227
(→ www.hawa.ch → HAWA-Productfinder)

